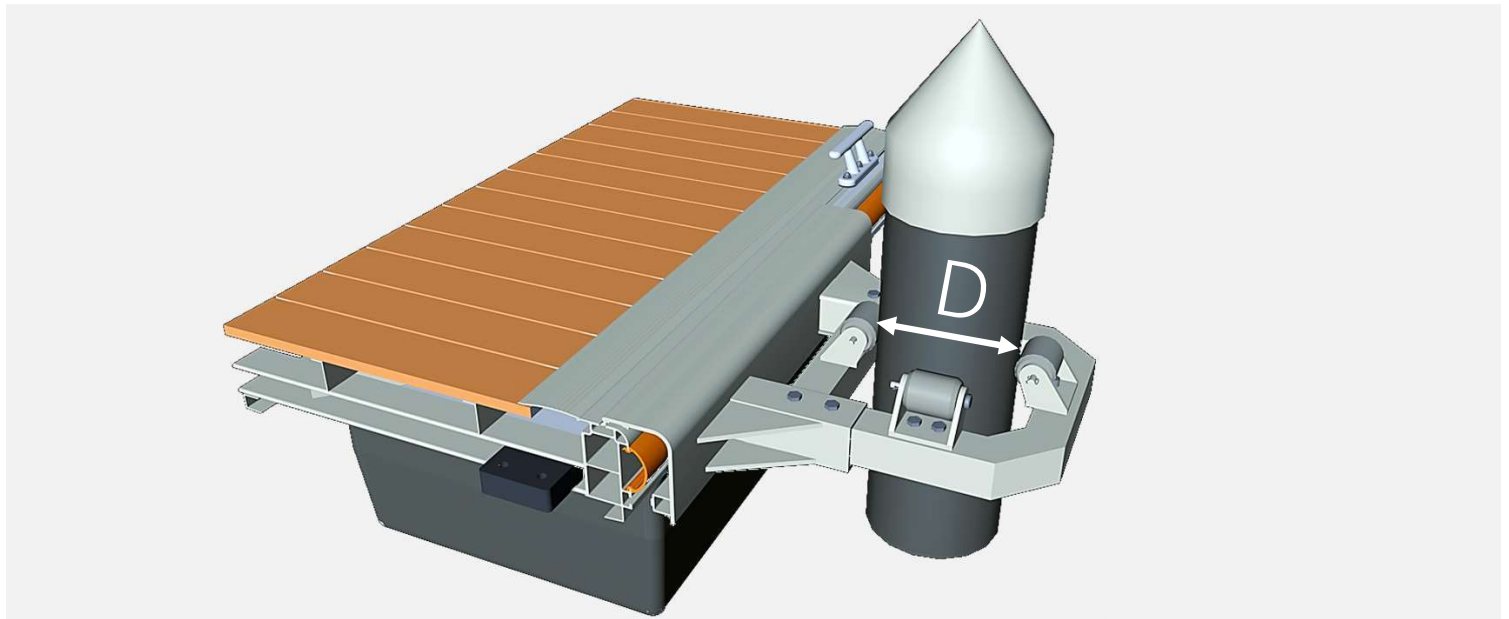




Pile Guide

- The pile guide structure is made of 6000 series marintime grade aluminum alloy.
- The pile guide is connected with the pontoon to form a whole with high structural strength.
- Integral roller bracket, the roller is made of noise-reducing PU material.
- Connecting bolts: hot-dip galvanized or better materials are available.



Pile Guide Specifications Table

No.	D(mm)	Single Weight (kg)	Accessories
ALP305	305	29	can be customzied
ALP406	406	31	
ALP508	508	33	
ALP610	610	35	
ALP711	711	37	



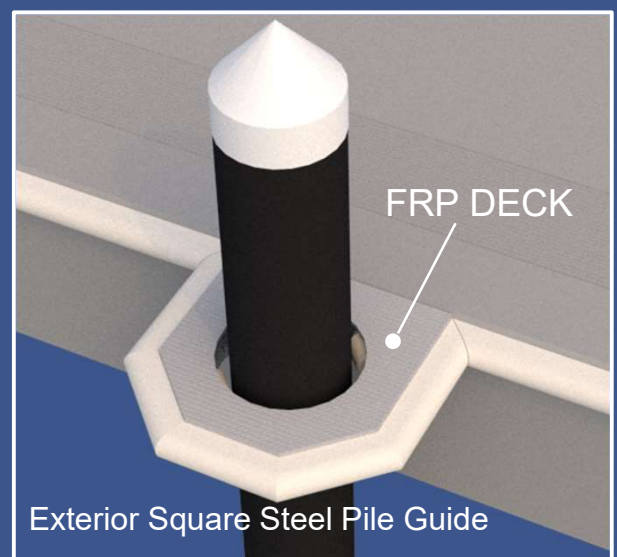
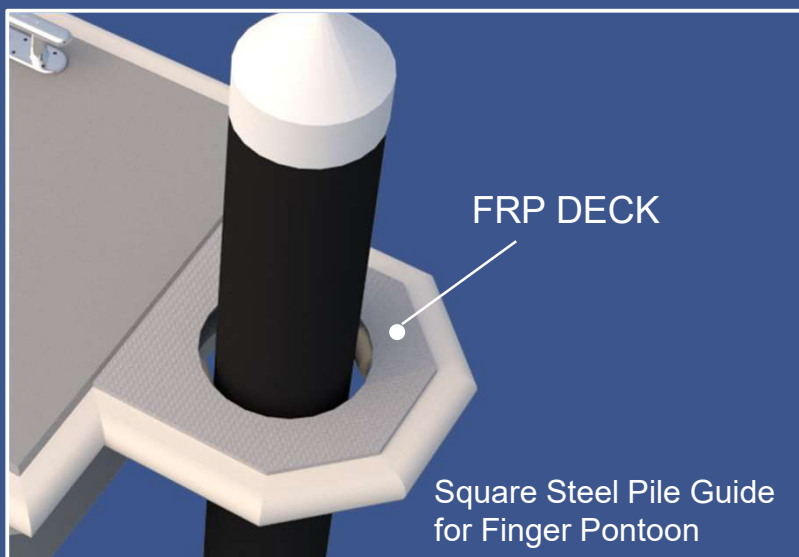
Pile Guide

● Triangular Steel Pile Guide

The main structure of the pile holder used in the concrete pontoon bridge is welded and formed by steel structure. After processing, the galvanized layer thickness is $\geq 100\mu\text{m}$.

Roller bearing adopts self-developed adjustable tooth plate bearing with double-layer steel structure.

In order to resist impact and prevent collision or abrasion of ships, the pile guide can be installed with D-type rubber fender.



Square Pile Guide Specifications Table

No.	Pile Guide No.	Pile Diameter (mm)	Single Weight (kg)	Matching Components
1	SSPG305	305	157	Nylon Roller
2	SSPG406	406	185	SS Pin Roll
3	SSPG529	529	206	SS Bolt
4	SSPG630	630	224	Rubber Fender

Triangular Pile Guide Specifications Table

No.	Pile Guide No.	Pile Diameter (mm)	Single Weight (kg)	Matching Components
1	TSSPG305	305	157	Nylon Roller
2	TSSPG406	406	185	SS Pin Roll
3	TSSPG529	529	206	SS Bolt
4	TSSPG630	630	224	Rubber Fender

